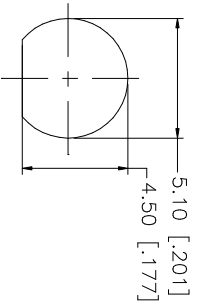
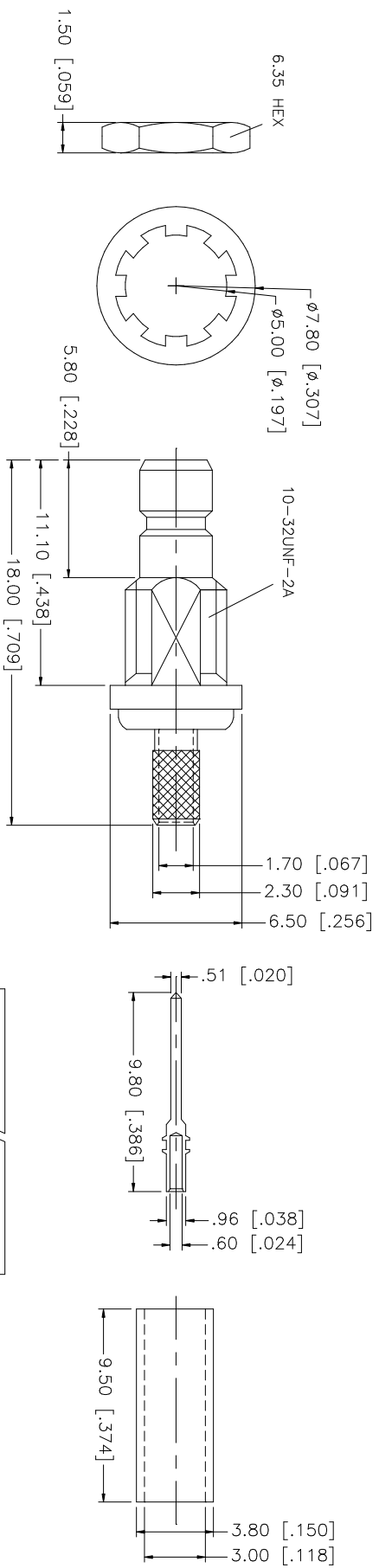
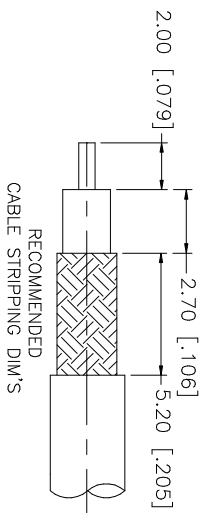
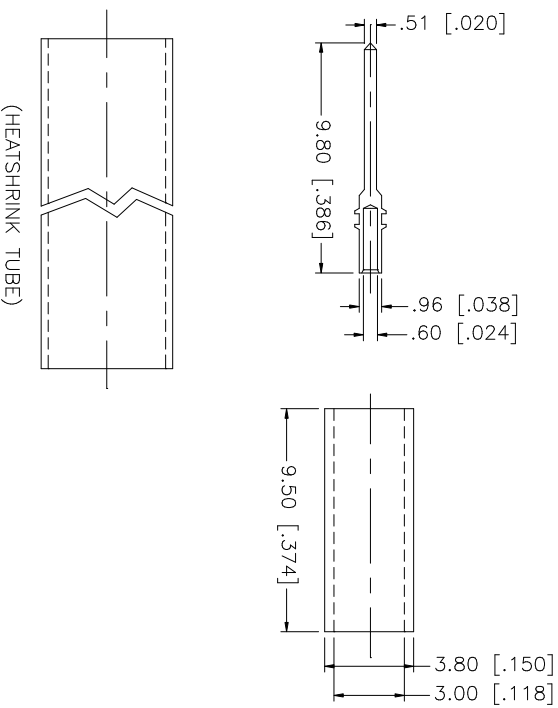


REV.	DATE	DESCRIPTION
A	06/05/03	UPDATE DRAWING FORMAT



NOTE:

1. CRIMPED FERRULE  
HEX CRIMP SIZE .128"
2. CRIMPED CONTACT PIN  
SQ. CRIMP SIZE 0.7mm
3. MAX. PANEL THICKNESS = 2.4mm



QTY	FINISH	MATERIAL	DESCRIPTION
1	GOLD	BRASS	INSULATOR BODY
1	GOLD	BRASS	CONTACT PIN
1	GOLD	BRASS	LOCK WASHER
1	GOLD	BRASS	HEX NUT
1	GOLD	COPPER	FERRULE
1	BLACK		HEAT SHRINK TUBE

UNLESS OTHERWISE SPECIFIED DIMENSIONS ARE IN INCHES AND FOR CUSTOMER REFERENCE ONLY.	UNLESS OTHERWISE SPECIFIED TOLERANCES FOR MILLING ARE:	UNLESS OTHERWISE SPECIFIED TOLERANCES FOR INCHES ARE:
	0.5 - 8mm ± 0.20mm	.020 - .315 = ± 0.007"
	8 - 30mm ± 0.40mm	.315 - 1.180 = ± 0.015"
	30 - 120mm ± 0.50mm	1.180 - 4.724 = ± 0.020"

APPROVALS	DATE	PART DESCRIPTION
DRAWN G.R.S.	06/05/03	SMB BULKHEAD CRIMP JACK (FOR RG-174/U, 188A/U, 316/U)
CHECKED		
ISSUED		
SHEET 1 OF 1		

CAD FILE	DWG. NO.	REV.	SIZE	SCALE
C:/142/142191.DWG	142191.DWG	A	A	NA

**Amphenol Connex**

142191